

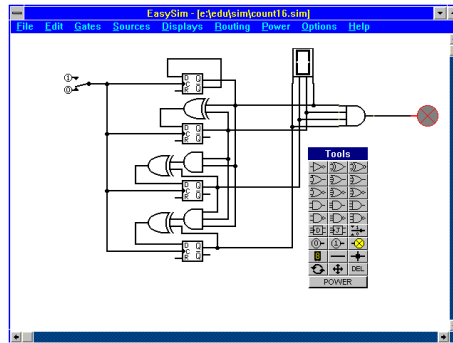
EasySim

Digital Electronics Design and Simulation Software for Students

Targeted primarily at late secondary and early tertiary students, *EasySim* is a powerful educational tool. Presenting the operation of digital electronics in a simple to use graphical environment, *EasySim* makes it easy to learn and to understand the operation of many of the digital building blocks used in current technology.

Running under the Microsoft Windows environment it allows the user to design and simulate the operation of digital electronic circuits at varying levels of complexity.

Once designed the circuit may be powered up and animated from the design screen. The unique *EasySim* logic tracing system highlighting the logic signals present in the circuit as they change from low to high levels.



Sample screen from *EasySim*

The ease of use of *EasySim* stems from its ergonomically efficient concept, allowing circuit design and simulation within the same screen. No time consuming netlisting or loading of separate software modules, just draw your circuit, enable logic tracing, click on the power button and watch it run.

EasySim provides a good selection of logic gates, these include:-

- *Inverters.*
- *Exclusive Or and Exclusive Nor gates.*
- *Various Or, Nor, And and Nand gates.*
- *D type and JK flip flops.*
- *Multiplexors and De-multiplexors.*
- *Oscillators.*
- *Up-down counters.*

Various input and output devices are supplied including emulations of binary seven segment displays and indicator lamps.

Other features of *EasySim* include:-

- Extensive context sensitive on-line help.
- Toolbox for fast component selection.
- Comprehensive, easy to use circuit editor.
- Intelligent printout sizing, *EasySim* automatically scales it's printout to match the printer.
- Selectable on-screen grid for ease of component alignment.
- Sample circuits to help demonstrate the features of *EasySim*.

EasySim includes features not yet found on other digital simulator software, helping to make it a clear leader in its field.

EasySim is available from:-

Research Systems Pty. Ltd.
15/1540 Main Road,
Research,
Victoria, 3095
Australia.

Tel. 03 9844 4777

Site licenses and special educational licences, details on request.
Requires IBM PC/Compatible, Windows 3.1+, 2MByte Ram, VGA.